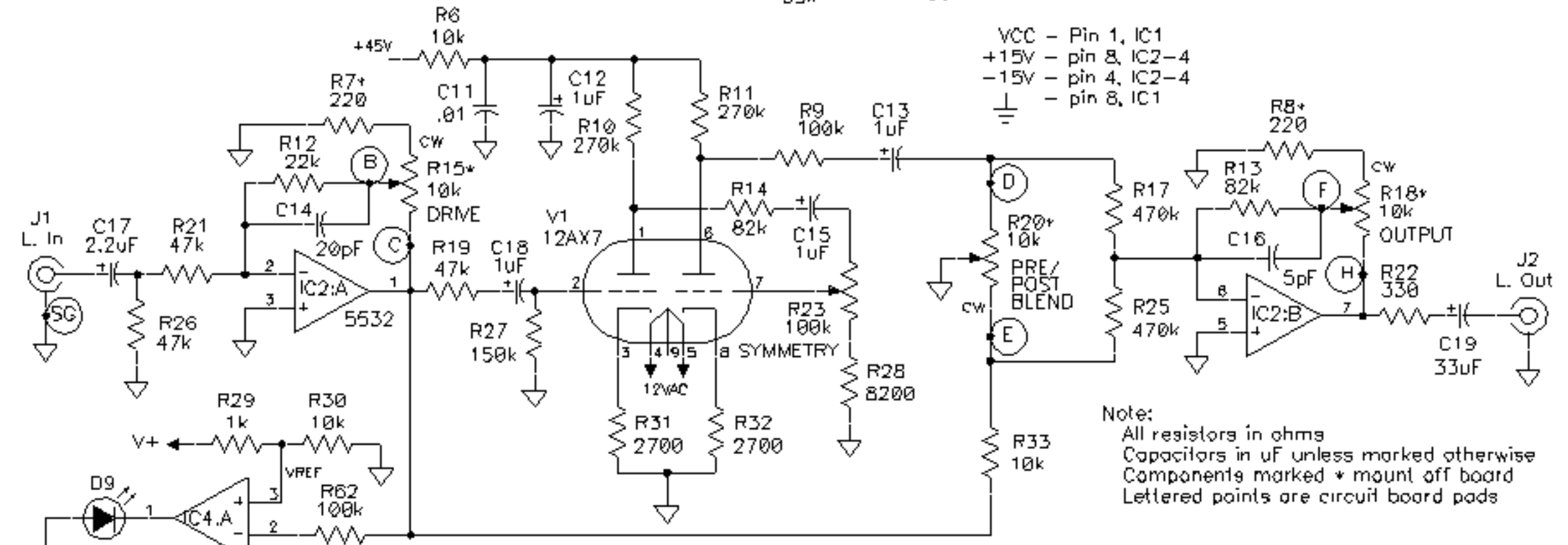
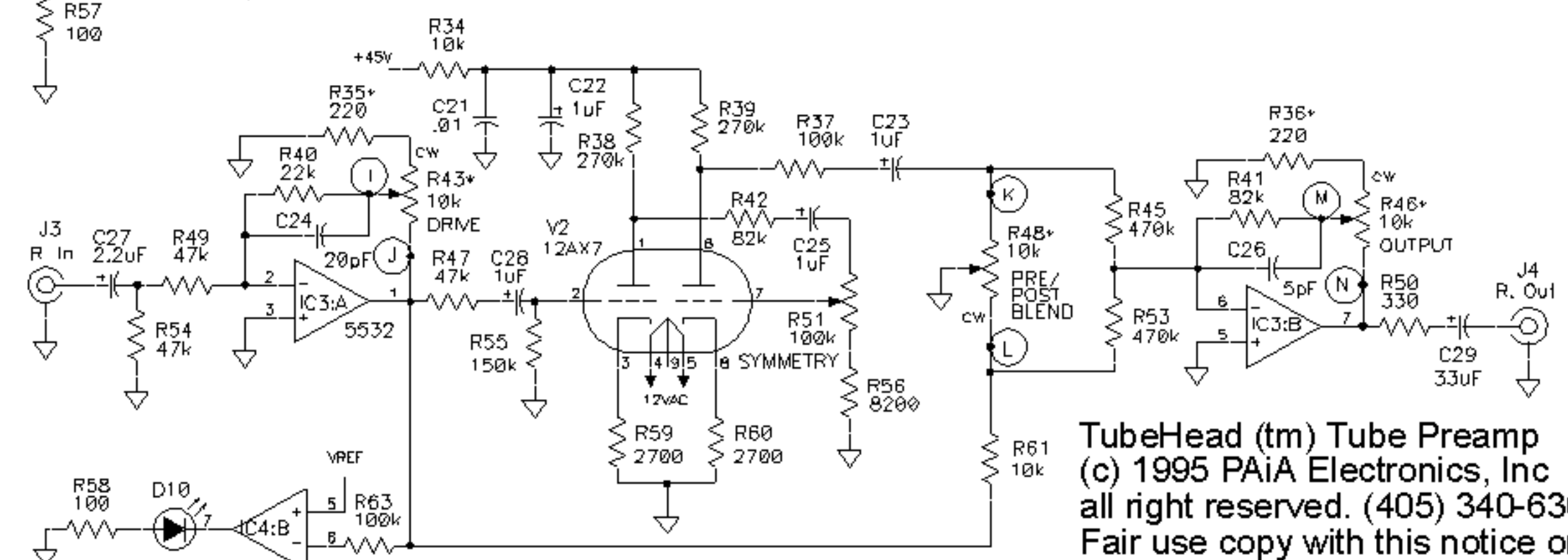


VCC - Pin 1, IC1
 +15V - pin 8, IC2-4
 -15V - pin 4, IC2-4
 ⏏ - pin 8, IC1



Note:
 All resistors in ohms
 Capacitors in uF unless marked otherwise
 Components marked * mount off board
 Lettered points are circuit board pads



TubeHead (tm) Tube Preamp
 (c) 1995 PAiA Electronics, Inc
 all right reserved. (405) 340-6300.
 Fair use copy with this notice only.