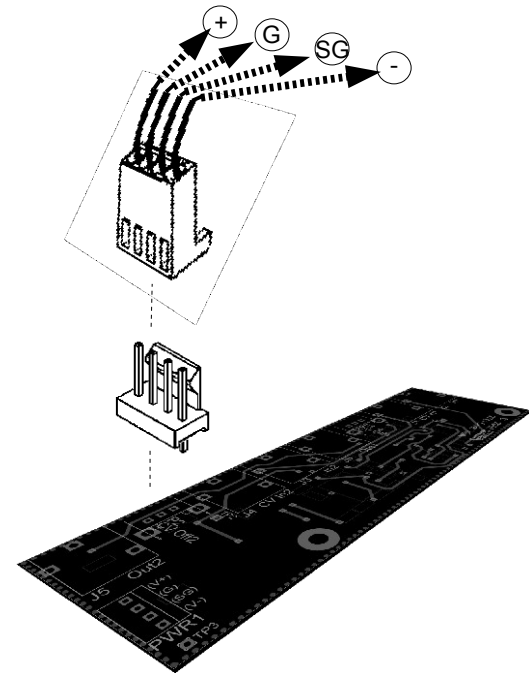


Attach board to panel using connector nuts. Shim control shafts, rotate controls to minimum, and tighten set-screw knobs to agree.

Fig. 1A



Orientation of power connector with respect to the printed-circuit-board.

Fig. 1B

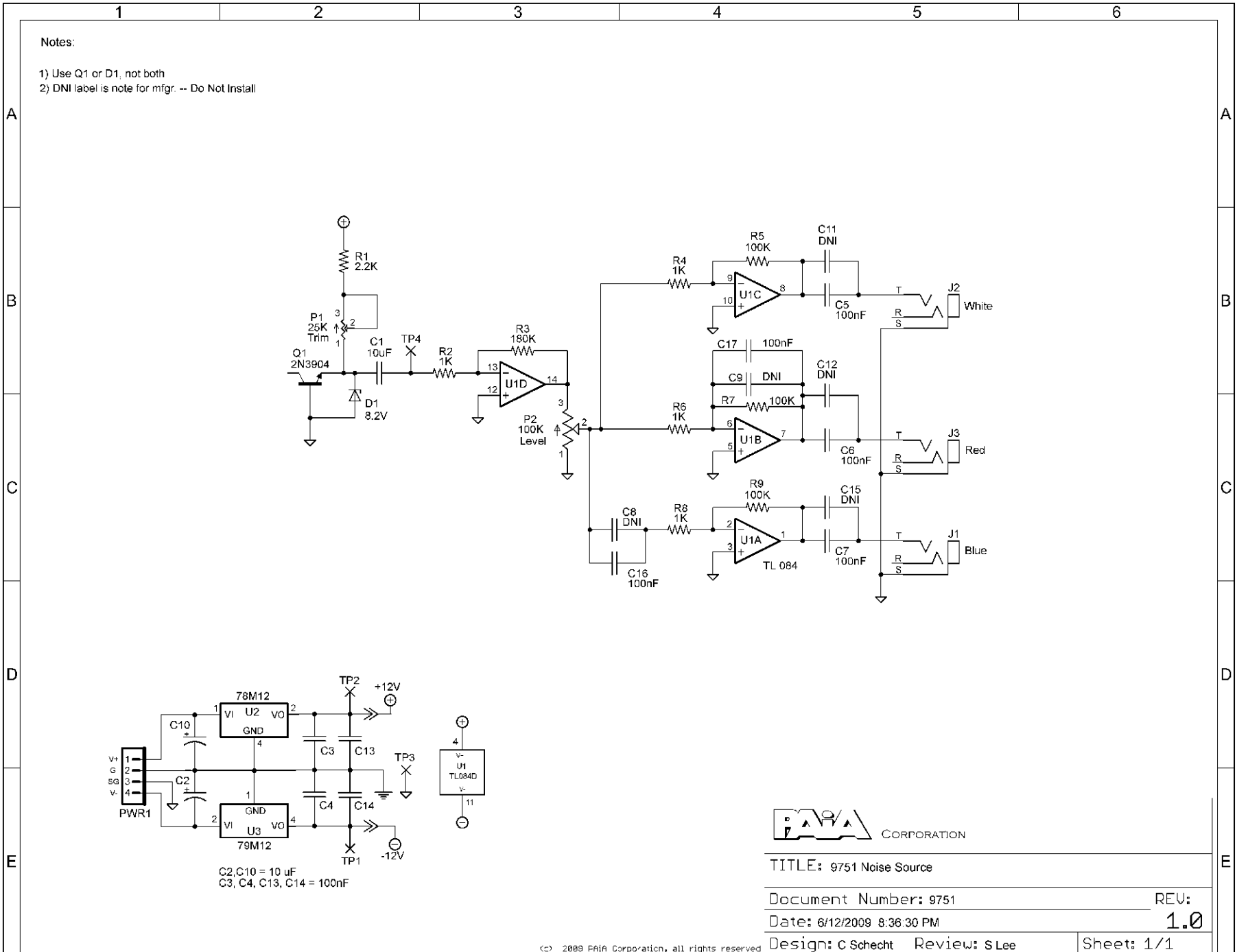


Fig.2 Noise Source Schematic
 © 2009 PAIA CORPORATION



TITLE: 9751 Noise Source	
Document Number: 9751	REV: 1.0
Date: 6/12/2009 8:36:30 PM	
Design: C Schecht	Review: S Lee
Sheet: 1/1	