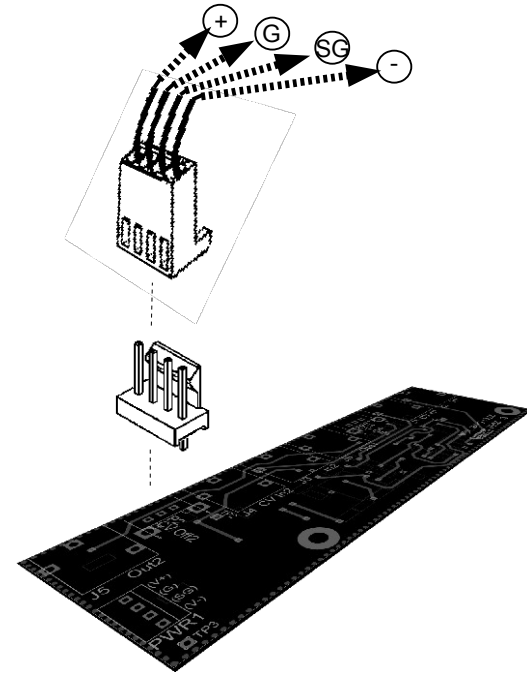


Attach board to panel using connector nuts, shim control shafts, and rotate controls to minimum. Install and tighten set-screw knobs to agree.

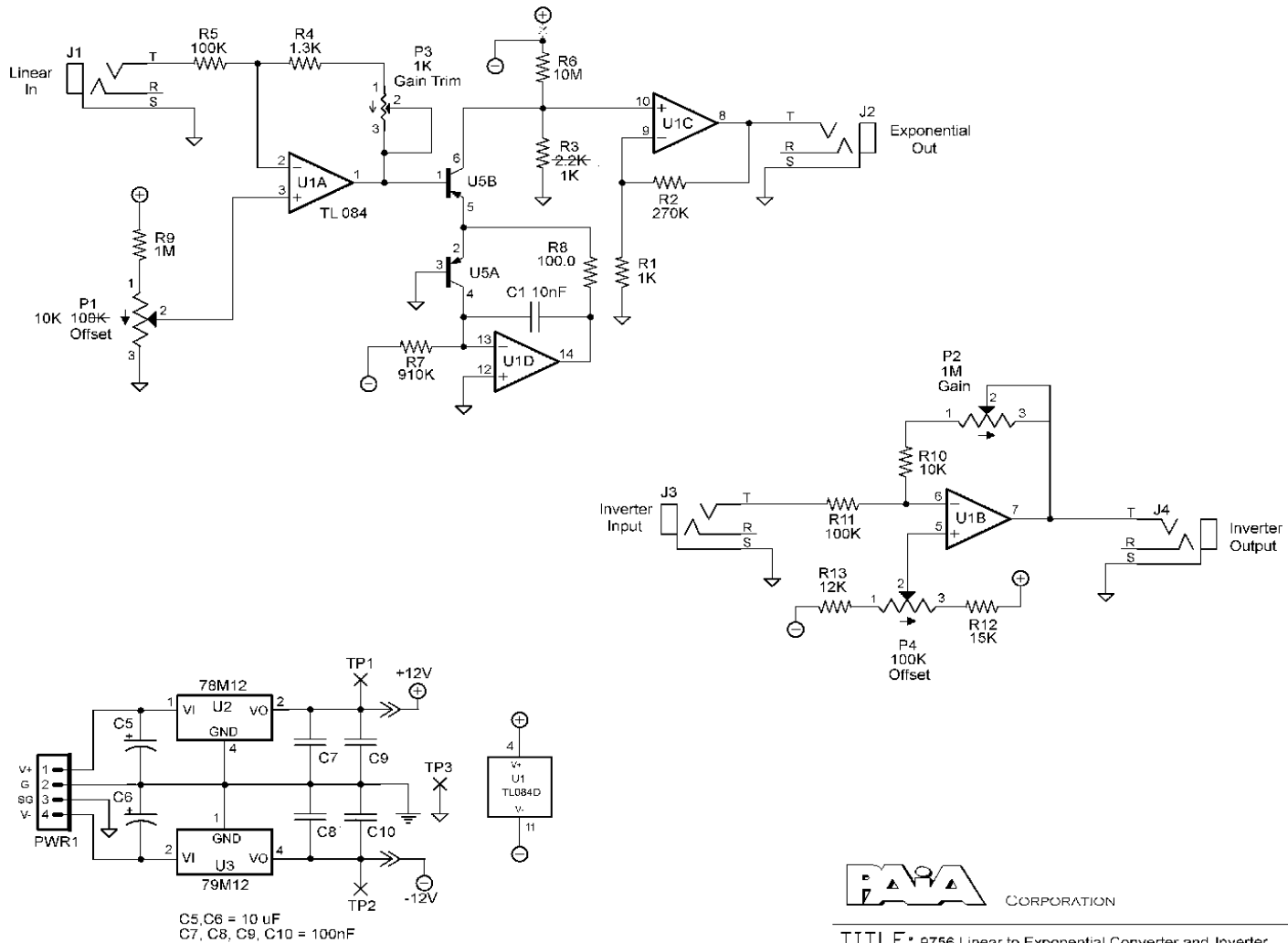
Fig. 1A



Orientation of power connector with respect to the printed-circuit-board.

Fig. 1B

Notes:
Includes 3/29/11 updates for improving accuracy in PitchCV applications (see resistors R3, R6, and P1).



TITLE: 9756 Linear to Exponential Converter and Inverter

Document Number: 9756

REV:

Date: 6/17/2009 9:45:04 AM

1.0

Design: c.schecht Review: s.Lee

Sheet: 1/1

© 2009 PAIA Corporation, all rights reserved

Fig.2 Linear to Exponential Converter + Inverter Schematic

© 2009 PAIA CORPORATION