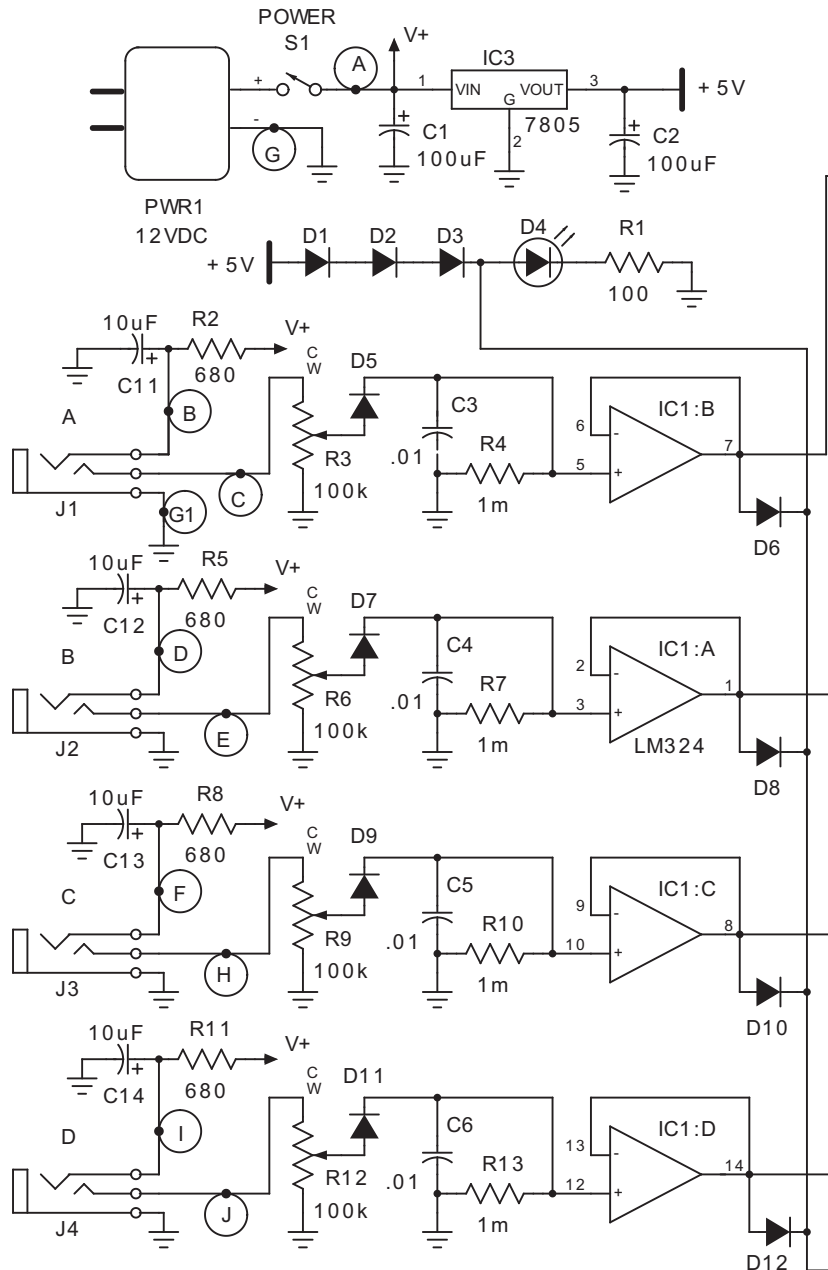


<b>PAiA</b> Electronics, Inc.		Title <b>DrumBrain Proc Amp</b>	
Size <b>A</b>	Author <b>Clark/ Simonton</b>	Sheet <b>  </b> of <b>  </b>	
	Number <b>9212</b>	Rev 1 11/10/92	
		Rev 2	
Date 8/13/92	Drawn by js	Rev 3	
		Rev 4	
Filename DRUMPRC.S01		Rev 5	



V+ pin 4 / IC1,IC2  
 ⏏ pin 11/ IC1,IC2

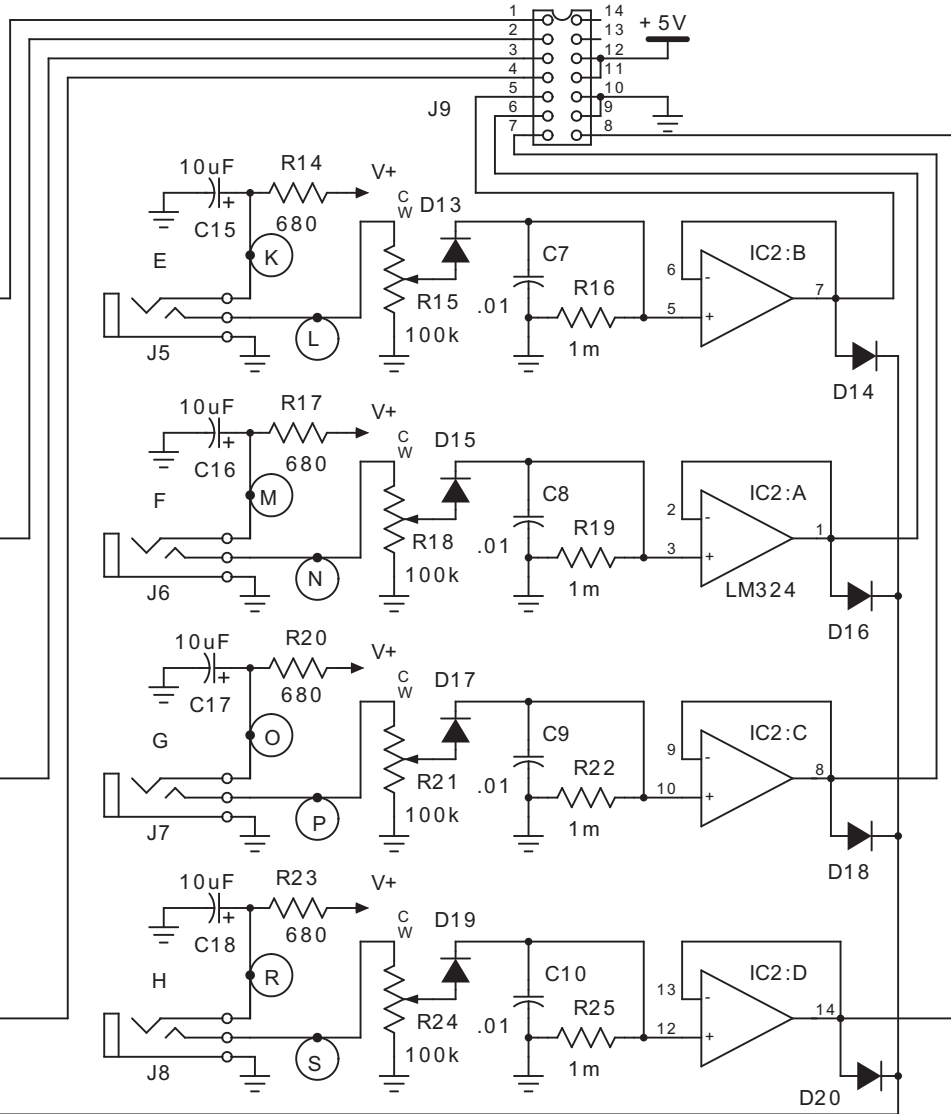


Fig1 Peak Detectors